

Overview

Model RS3A swing gate air cutoff valve is available with electric, pneumatic or mechanical actuation. It can be used in applications where the air intake line is 3 to 4 1/2 inches (76 - 114 mm) in diameter. RS3A can be mounted vertically or horizontally and airflow through the valve can be in either direction.

Contact us for more information.

Features and Benefits

- Easy to install and maintain
- Lightweight, compact design
- Corrosion resistant aluminum and stainless steel construction
- Used in manual and automatic actuation systems:
 - Electric
 - Pneumatic
 - Electric/pneumatic
 - Mechanical
- Wide variety of installation kits for most installations

Applications

- Drilling rigs (onshore & offshore)
- Drilling support equipment
- Well servicing equipment
- Refinery support equipment
- Bulk haulers and tankers
- Generator sets
- Mining equipment
- Construction equipment
- Emergency response vehicles and equipment
- Aircraft support equipment
- Work boats
- Barges
- Agriculture equipment



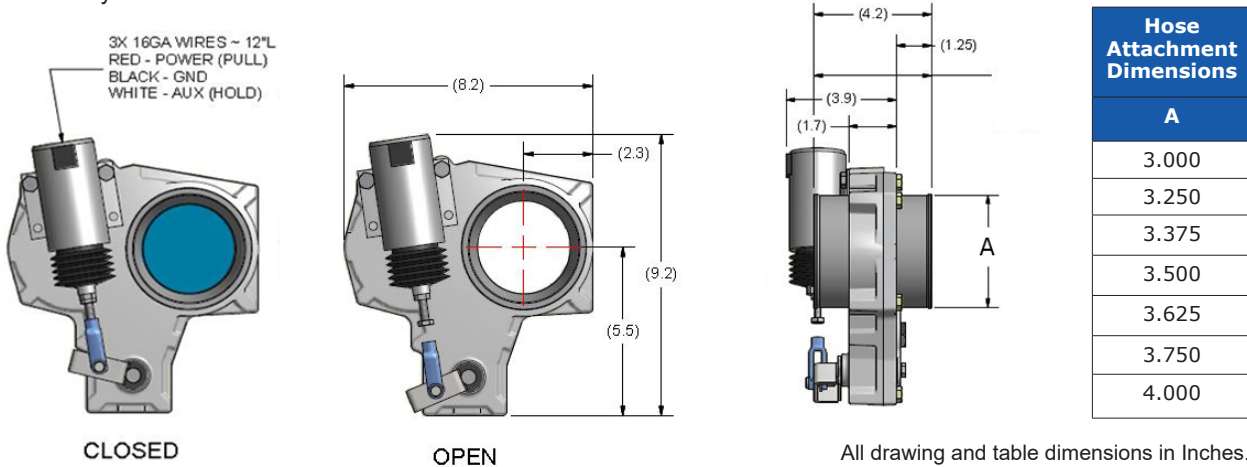
Valve Size

RS3A is available in several standard sizes for intake air lines ranging from 3 to 4 inches (76 - 102 mm) in diameter. Standard sizes for hose and V-clamp attachments are listed below. Additional sizes are available to meet specific application requirements.

Attachment Sizes	
3"	76 mm
3 1/4"	83 mm
3 3/8"	86 mm
3 1/2"	89 mm
3 5/8"	92 mm
3 3/4"	95 mm
4"	102 mm

Dimensions

Electrically Actuated



Specifications

Standard materials

- Valve body: Aluminum
- Gate arm: Plated steel
- Sealing element: Floating phenolic disc
- Seals: Viton standard
- Pneumatic cylinder: Aluminum, stainless steel & brass
- Solenoid housing: Plated steel

Net weights (including actuator)

- Manual actuated: 7.5 lbs (3.4 kg)
- Pneumatic actuated: 7.5 lbs (3.4 kg)
- Standard solenoid actuated: 9 lbs (4.1 kg)

Intake air temperature range

Standard valve: -40°F to 221°F (-40°C to 105°C)

Ambient air temperature range

Standard valve: -40°F to 257°F (-40°C to 125°C)

Electric solenoid actuation - Standard solenoid

(for turbo applications, contact customer service)

- Nominal 12 VDC power requirement: 70.5 amp pull in (0.9 amp hold)
- Nominal 24 VDC power requirement: 36.4 amp pull in (0.5 amp hold)
- Power-to-close with auto reset

Electric solenoid actuation - High and XH temp solenoid

- Nominal 24 VDC power requirement: 42 amp @ 28.8 VDC
- Power-to-close with auto reset

Pneumatic cylinder actuation

- Recommended pressure: 90 psi - 130 psi (6.2 bar - 9.0 bar)
- Pressure-to-close with auto reset

Manual actuation

- Mechanical pull to release: 38 lbs (169 Newton)
- Pull-to-close with auto reset

Contact us for more information

AMOT - USA
 Tel +1 (281) 469 3377
 Fax +1 (713) 559 9419
 sales@amot.com

AMOT - China
 Tel +86 21 6279 7700
 Fax +86 21 5237 8560
 shanghai@amot.com

AMOT - England
 Tel +44 (0) 1284 762222
 Fax +44 (0) 1284 760256
 info@amot.com

Roda Deaco - Canada
 Tel +1 (780) 465 4429
 Fax +1 (780) 469 6275
 info@rodadeaco.com

AMOT - Singapore
 Tel +65 6408 6265
 Fax +65 6293 3307
 singapore@amot.com

AMOT - Germany
 Tel +49 (0) 40 8537 1298
 Fax +49 (0) 40 8537 1331
 germany@amot.com